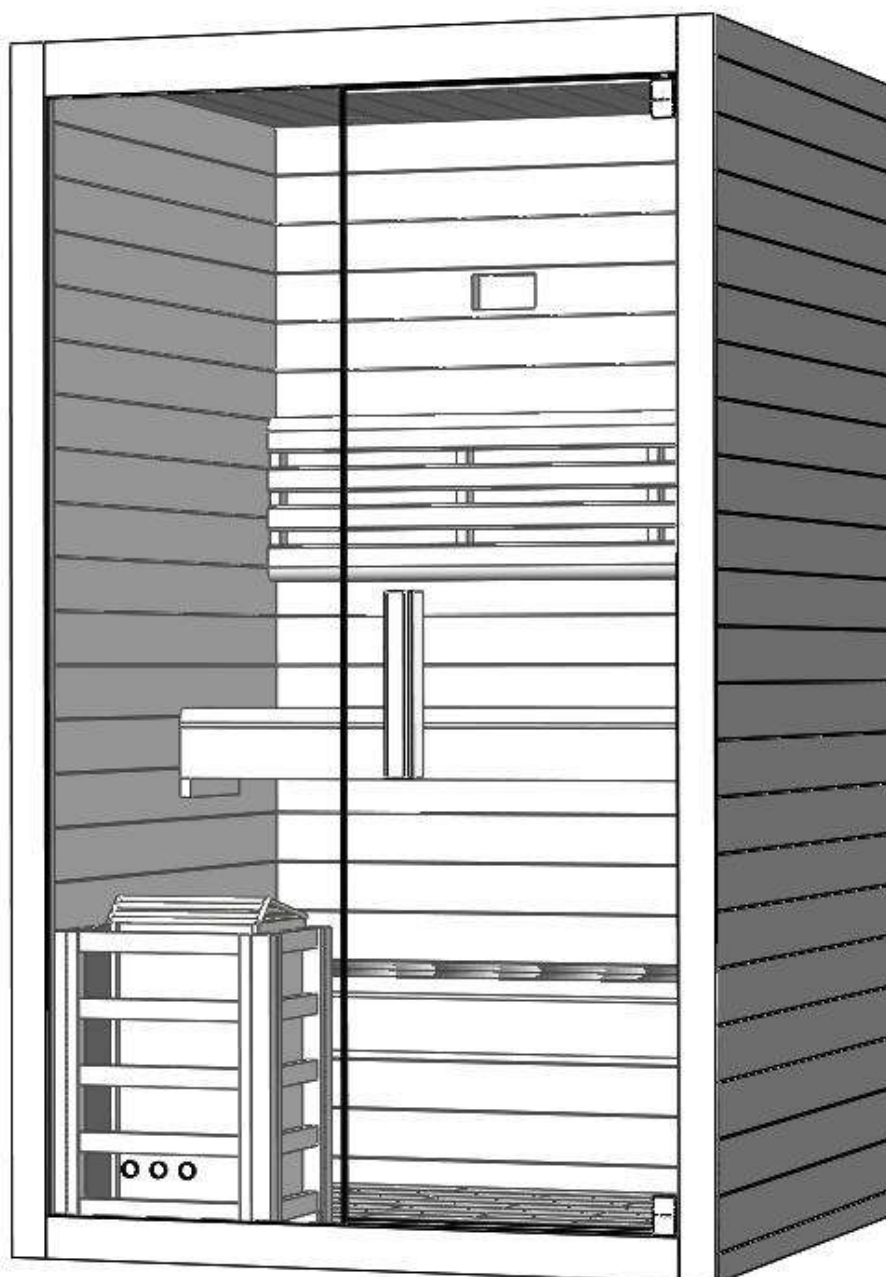


User's manual

EN



Sauna Room
ARIA 120

PREFACE

Thank you very much for purchasing our product.

Please read this manual carefully before assembling and save it afterwards. Please write down the control box serial number of the cabin as this number will be required in case of repair or order of spare parts.

ATTENTION

Installation and repair should only be done by a qualified electrician!

Check power supply rating and make sure the grounded outlet is correctly connected before installation.

Use original parts only. Do not share the outlet with any other appliances.

When not in use, turn off the cabin's power unit.

Locate your cabin indoors and on a flat, level and dry surface.

DANGER

Heaters shall not be subjected to water spray; shower heads shall not be installed within the infrared cabin.

Covering the radiator causes a fire hazard due to overheating. Do not cover the heaters !

Keep flammable or easily combustible materials/objects (eg.towels) away from the radiator at all times.

Do not touch the radiator during and shortly after use as a burning hazard exists due to hot parts.

The light bulb heats in use. If the bulb needs to be changed, unplug the cabin and let the bulb cool down before changing it.

Should the electrical connection get damaged, it must be replaced—either by the manufacturer or by a licensed electrician!

WARNING

If you suffer from illness or other health-related problems, especially heart conditions or circulatory disturbances or if you take medication, you should consult a doctor before using the infrared cabin.

Children and frail persons should never be in the cabin without supervision.

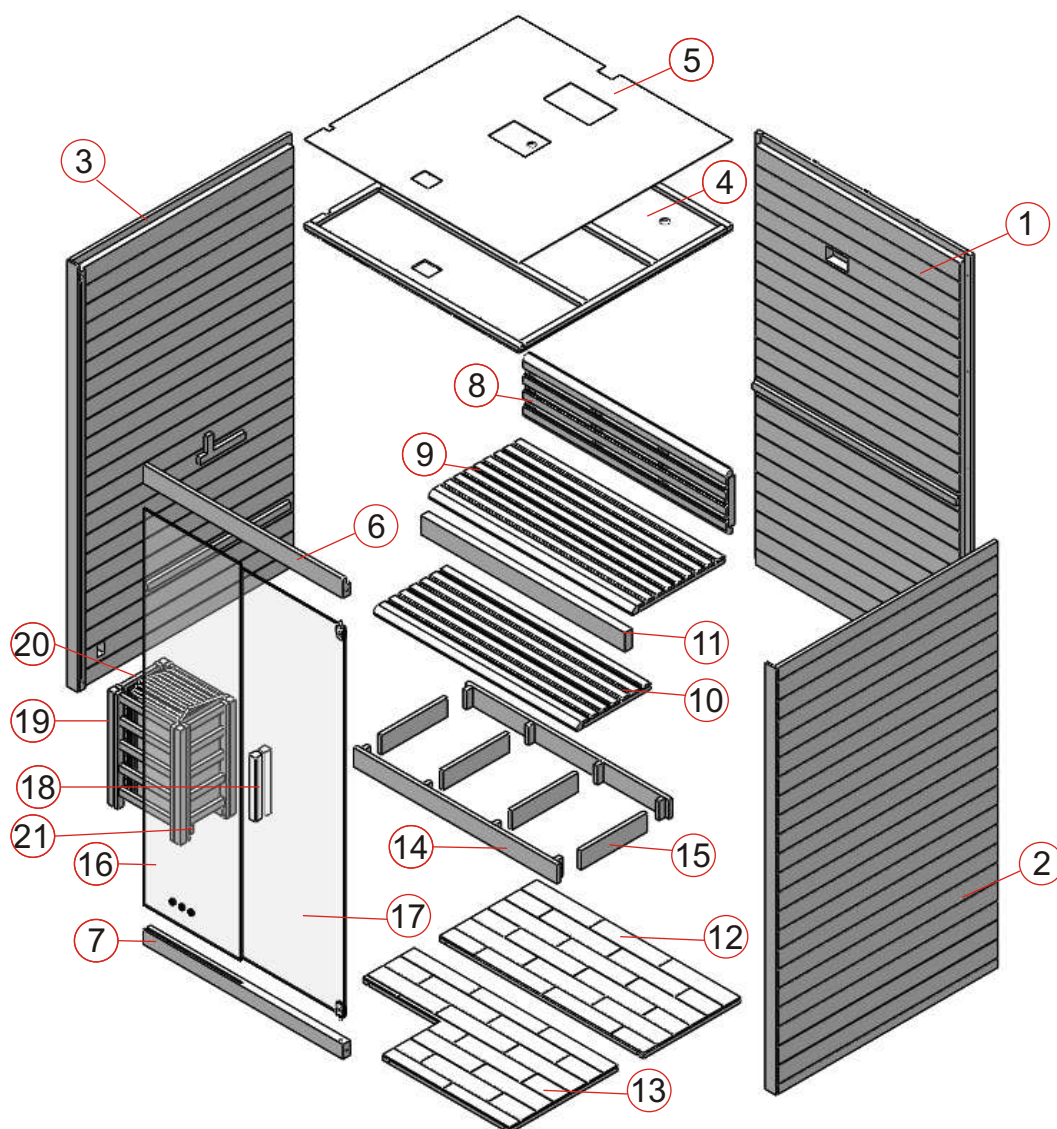
If you feel uncomfortable while using the infrared cabin, stop immediately and consult with your doctor.

Never go to a hot infrared cabin if you have taken alcohol, strong medicines or narcotics.

Technical data

Model	5fJU%&\$	
Cabin material	Regular hemlock	
Length	1200 mm	
Width (depth)	1200 mm	
Height	2005 mm	
Voltage	230volt 50Hz	
Sauna stove	Total output	3600W

PARTS LIST

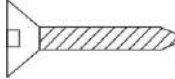
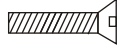

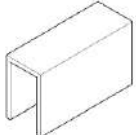



Cabin Individual parts (variations possible)

NO	NAME	Q' TY
1	Back panel (2000*1164*48mm)	1
2	Right side panel (2000*1200*48mm)	1
3	Left side panel (2000*1200*48mm)	1
4	Top panel (1161*1157*28mm)	1
5	MDF cover (1161*1157*3mm)	1
6	Door cross beam (upper, 1080*90*40mm)	1
7	Door cross beam (down, 1080*70*40mm)	1
8	Back guardrail (1100*300*46mm)	1
9	Bench surface panel 1 (1102*500*33mm)	1
10	Bench surface panel 2 (1100*400*33mm)	1
11	Bench support panel 1 (1102*90*40mm)	1
12	Floor panel 1 (1101*525*28mm)	1
13	Floor panel 2 (1101*585*28mm)	1
14	Bench support panel 2 (1100*90*20mm)	2

NO	NAME	Q' TY
15	Bench support panel 3 (358*90*20mm)	4
16	Side glass (1858*525*8mm)	1
17	Glass door (1824*557*8mm)	1
18	Door handle (300*40*45mm)	2
19	Oven guardrail 1 (536*33*33mm)	4
20	Oven guardrail 2 (536*325*33mm&536*235*33mm)	4
21	Oven guardrail 3 (390*40*20mm)	2

Hardware parts (variations possible)

					
Φ 4*45	Φ 4*35	Φ 6*60	Rubber Strip	Glass clip	Mixed Screw
22x	50x	2x	4m	1x	4x

ASSEMBLE INSTRUCTIONS

Assemble tips

Please remove transport packaging and inspect that your infrared cabin has been delivered complete and intact before beginning assemble.

A least 2 persons are required for assemble of the cabin

Please check the countersink and hole diameter of the drill holes to avoid damaging the wood. .

The minimum room height required for installation is 2170mm

Tools



Screwdriver (kit)



Tape measure



Electric drill



Spiral drill (kit)



Hammer



Allen Wrench (kit)



Cutter



Step ladder



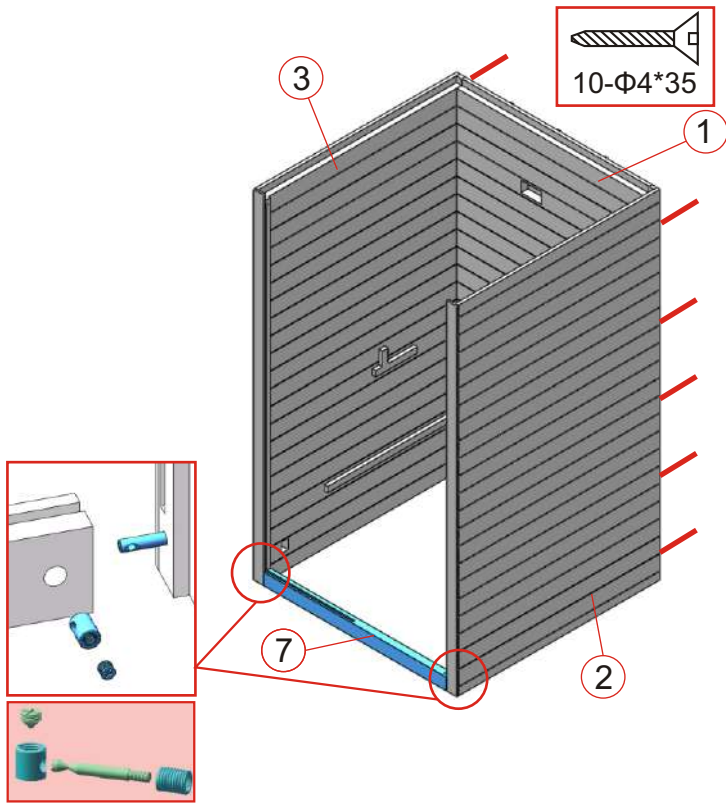
Spirit level



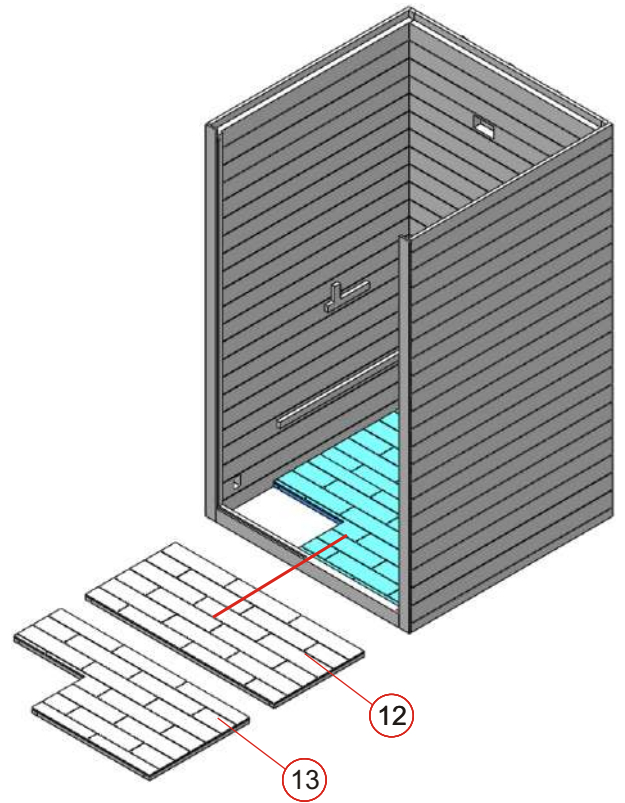
Pencil

ASSEMBLE INSTRUCTIONS

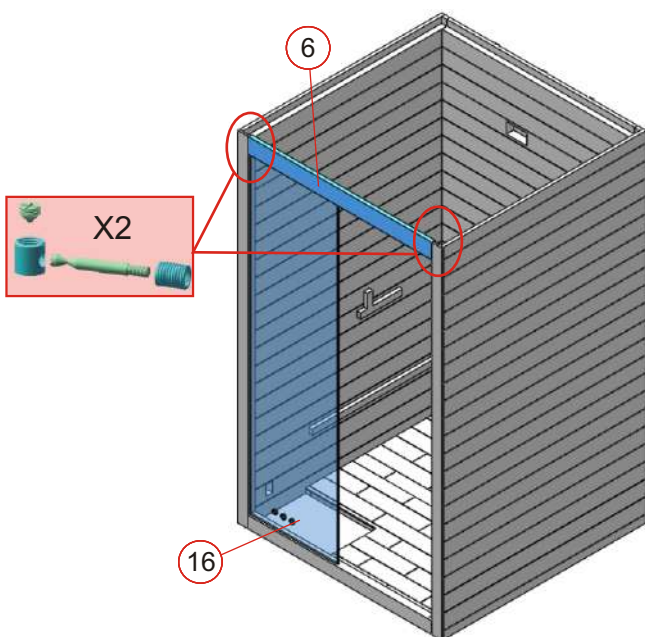
Assemble steps



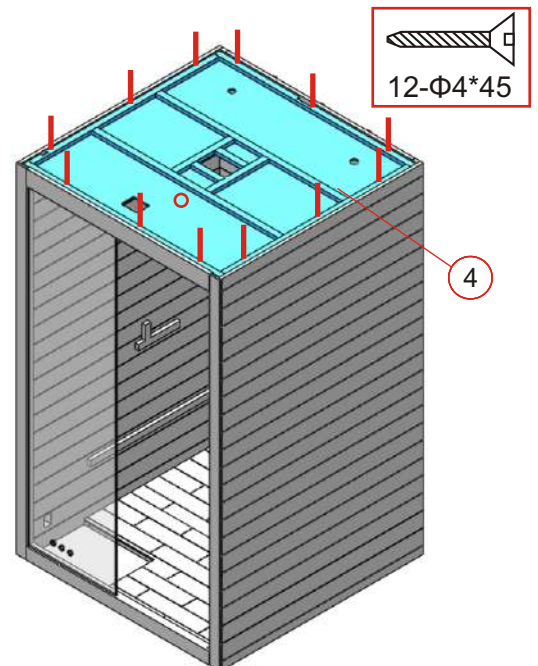
(1)



(2)



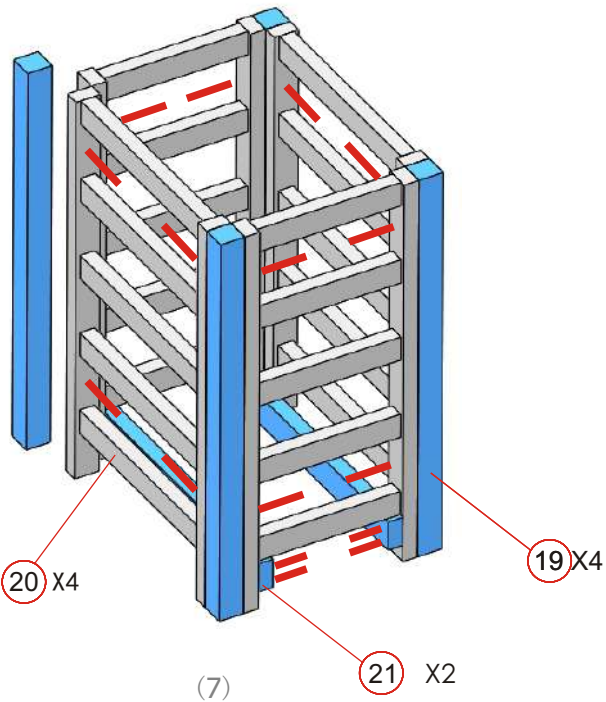
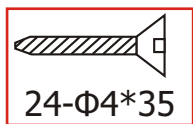
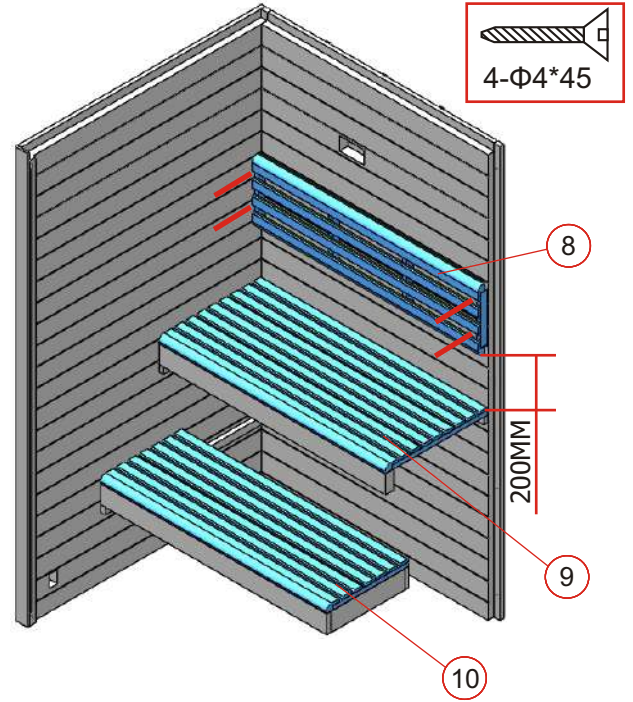
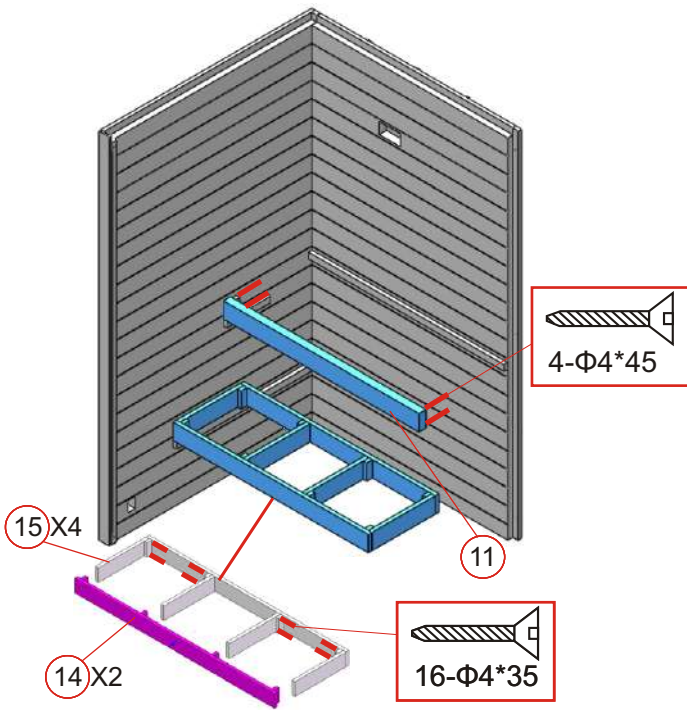
(3)



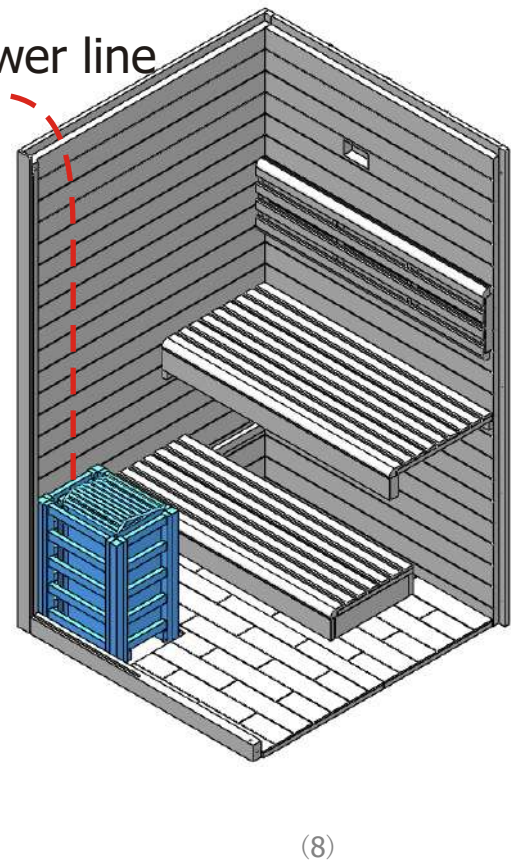
(4)

ASSEMBLE INSTRUCTIONS

Assemble steps

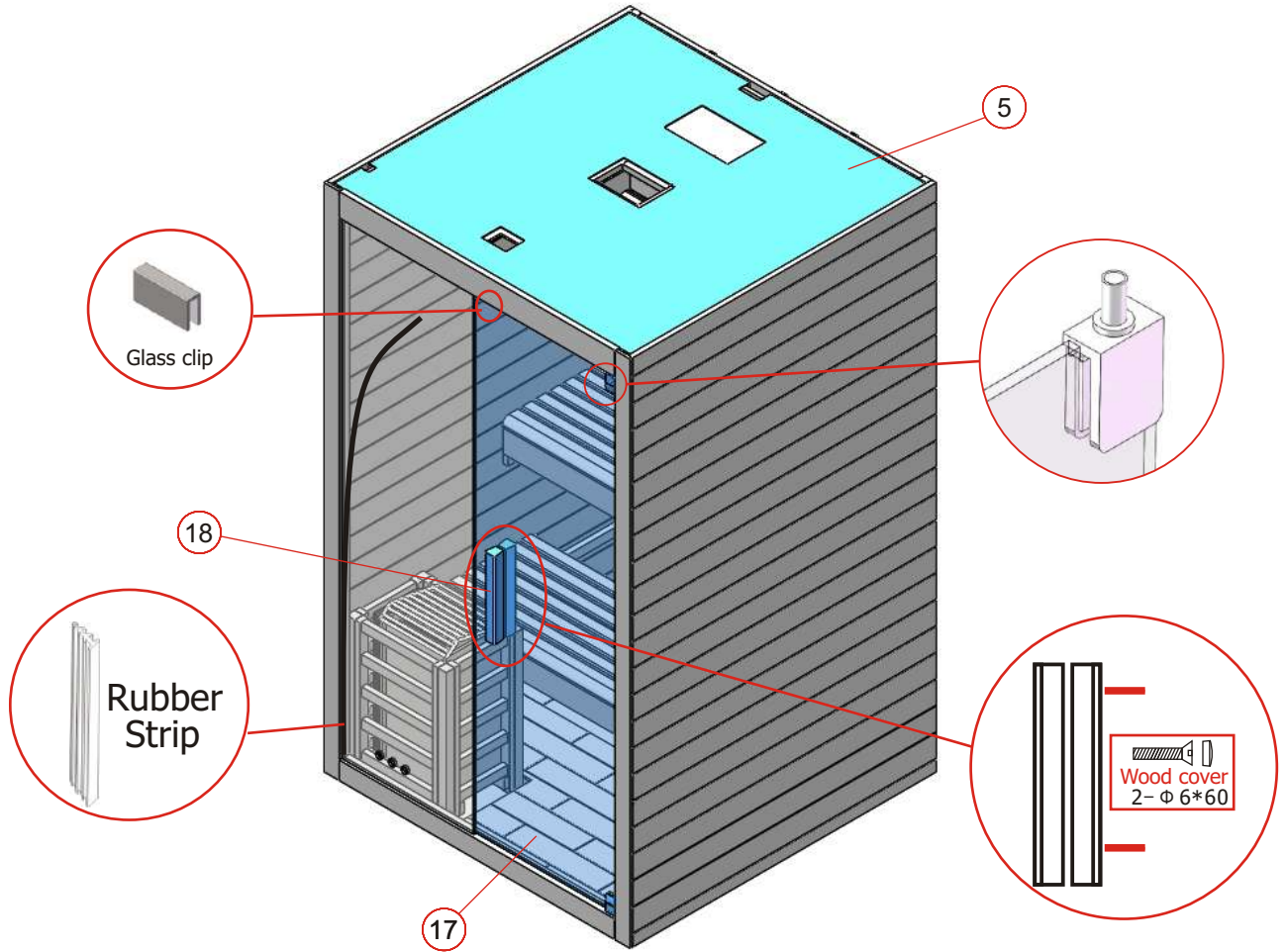


Power line



ASSEMBLE INSTRUCTIONS

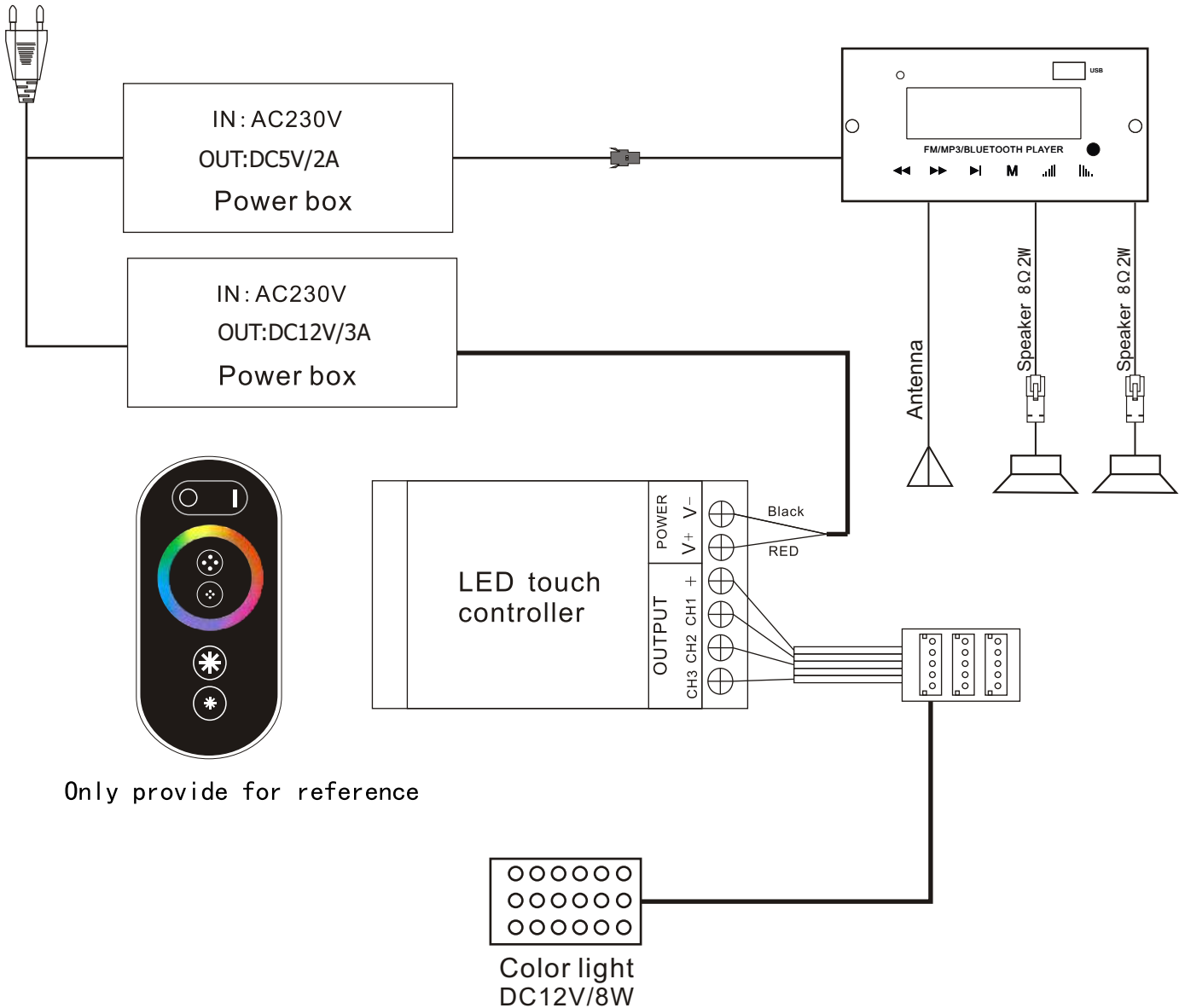
Assemble steps



Note: connect all cables on the roof of the cabin
(9)

CIRCUIT DIAGRAM

The LED controller connection diagram



OPERATING INSTRUCTIONS

Mp3 player

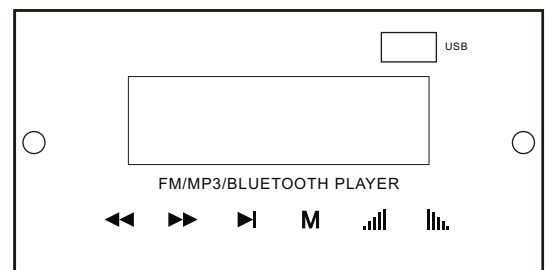
Long press "M" to activate the MP3 player.
 You can select the mode by short pressing the "M" button:
 USB---Bluetooth---FM radio

USB or Bluetooth mode:

You can select songs by short pressing the ◀◀ / ▶▶ keys and adjust the volume (0-32) by long pressing The .||| / |||. keys. The ▶| key for pause.

FM radio mode:

Long press ▶| to search stations (87.5MHZ-108MHZ) automatically, the system will save all of them;
 You can select stations by short pressing the ◀◀ / ▶▶ keys and adjust the volume (0-32) by long Pressing the .||| / |||. keys. The ▶| key for mute sound.



SERVICE

Use instructions

Drink plenty of liquids before and after use of the infrared cabin.

Dry yourself off completely.

The optimal cabin temperature for a pleasant session lies between 35 and 60°C.

After a heating period of an hour at the latest, the cabin should be switched off and a heating brake of at least 30 minutes should be taken.

It is recommended to take a warm shower and relax after use.

Maintenance instructions

Clean the cabin with a damp cotton towel, dry with a clean dry towel.

Clean the glass with a window/glass cleaner and a soft cloth.

Do not pour water in the control panel or clean it with wet cloth. For cleaning purposes, use a cleaning cloth that has been only slightly moistened with a mild soapy solvent (dish detergent).

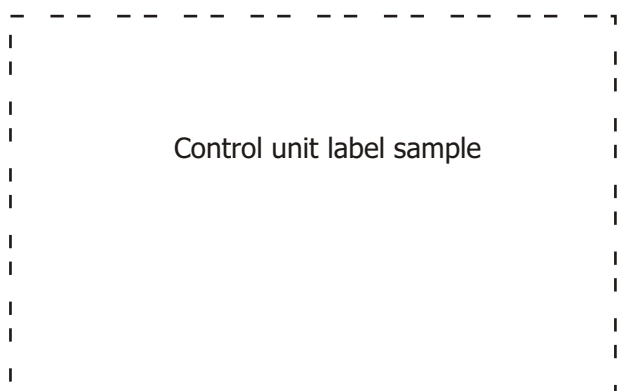
Do not use chemical detergents to clean the cabin.

Please fasten the screws of the bench once every three months, avoid the loose or drop off.

Notes:

SERVICE

GUARANTEE CARD



Fill in this form and make a picture of it and Email to:

Date of purchase: _____

Serial Number: _____

Reference number: _____

Name: _____

Article state (unopened, just opened or used): _____

Please encircle on picture below which heater or which panel has a fault.

Attach pictures of the problem and send them through email.

